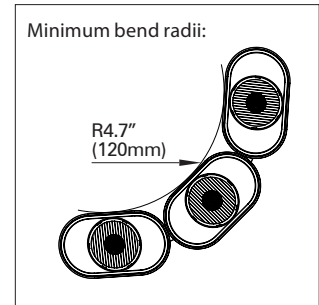
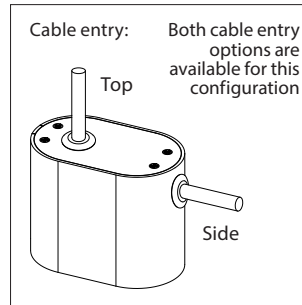
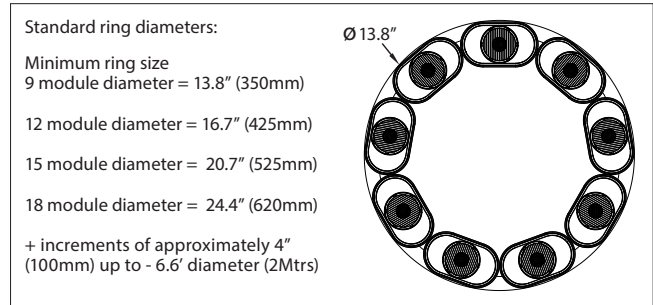
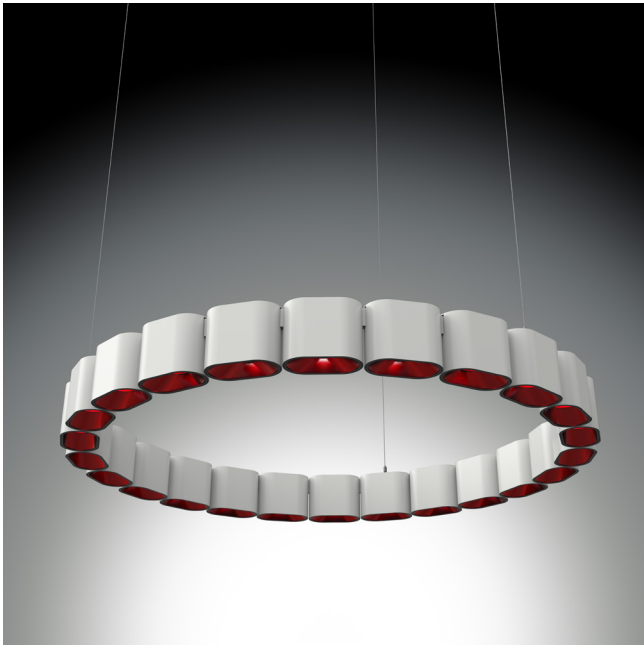


## Centura 60 IP20 Class 2

Fixed ring modular RGB LED pendant lighting system

Down light - 1 x RGB, RGBW, RGBA or white-light LED COB per module



### Fixed modular RGB LED pendant lighting system IP20 - Down light

#### Product description:

Modular circular RGB LED pendants in a range of sizes with down lights and decorative two-colour louvred snoots in custom finishes for use in a wide range of application areas including architectural, hospitality, leisure and retail. The unique design means that the size of the ring can range from 120mm  $\phi$  with no maximum.

#### Each module:

Down light - 1 x RGB, RGBW, RGBA or single coloured LED per module with colour mixing gaggione lens and asymmetric white reflector.

5 Watts per 4" (100mm) module

Up to 48 Volt DC supply

Integral LV constant current driver

Dimming options available: 1 - 10V, DMX and DALI

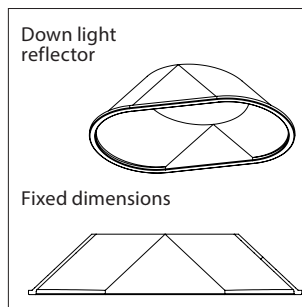
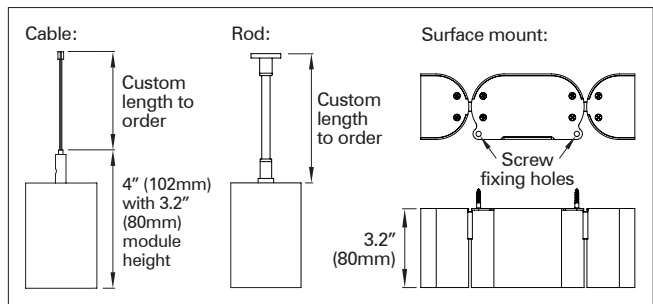
Various LED colour temperature and CRI options available

Body - Satin black, satin or any RAL anodized or powder coat finish

Reflector - Satin white

Standard and custom diameter rings based on a 4" (100mm) module

Rod, cable or surface mount options. Custom solutions are available



Up to 450 Lumens per ft  
(Up to 1,500 Lumens per Mtr)

Product Code	No. of LEDs per mtr.	IP	Diameter (mm)	LED Type	Optics (°)	Colour Temp. (K)	CRI	Mounting Type	Reflector (°)	Finish
RAD CENTURA RING DOWN RGB IP20	3 LEDs/arrays per foot: 4" (100mm) pitch	20	13.8" (350mm) to custom figure  Available in 4" (100mm) increments	Cree: XP-E XP-G XQ-E  Osram: Oslon	Gaggione  N, M, W, E, Diffused spot  (See attached data sheets for details)	27=2,700k 30=3,000k 35=3,500k 40=4,000k 45=4,500k 50=5,000k * RGB * RGBW * RGBA * Dynamic white	Cree: 80 90  Osram: 95	Steel Cable  Fixed rod  Surface mount	Fixed angle	Body: Black, white or any anodized or powder coat finish  Louvre: Any anodized or powder coat finish